

8" MEDIAN EXTRUDED CURB

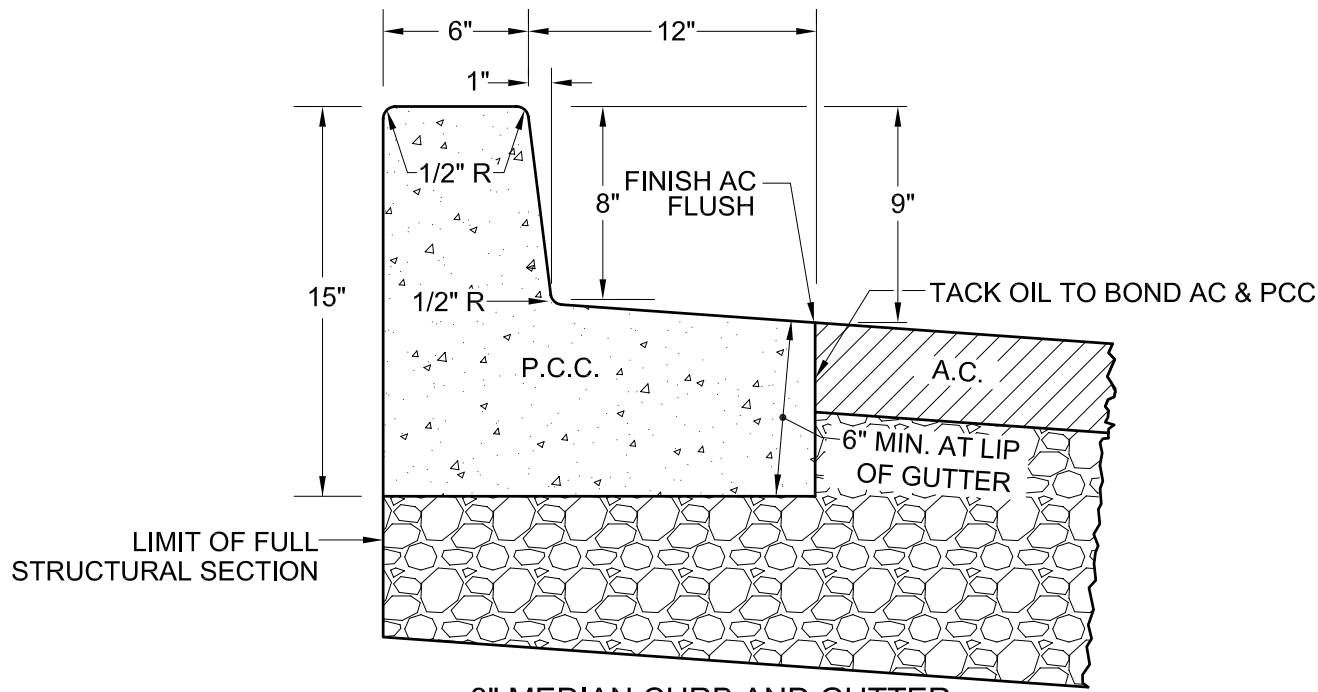
6" EXTRUDED A.C. BERM

PLACE 6" #3 DOWELS (3" EMBEDDED INTO THE AC) 4' ON CENTER PRIOR TO EXTRUDING CURB

DOWELS MUST BE A TIGHT FIT OR EPOXIED INTO THE DOWEL HOLE

USE SS OR RS1 TACK OIL TO BOND AC BERM TO AC

USE AN APPROVED 2-PART EPOXY BONDING COMPOUND FOR THE FULL WIDTH AND LENGTH OF THE CONCRETE CURB



8" MEDIAN CURB AND GUTTER

CITY OF FREMONT
STANDARD DETAILS
MISCELLANEOUS
CURB AND GUTTER DETAILS

DATE APPROVED BY CITY COUNCIL
 04/11/06

RESOLUTION NO. 2006-31

Ham Hughes
 CITY ENGINEER

NO.	REVISED	DATE
REVISIONS		

FILE NO. SD-07-06.DWG	SCALE 1 1/2" = 1'-0"	DRAWN DC	CHECKED KC	DATE 03/14/06	DWG NO. SD-7	1 of 1
--------------------------	-------------------------	-------------	---------------	------------------	-----------------	--------