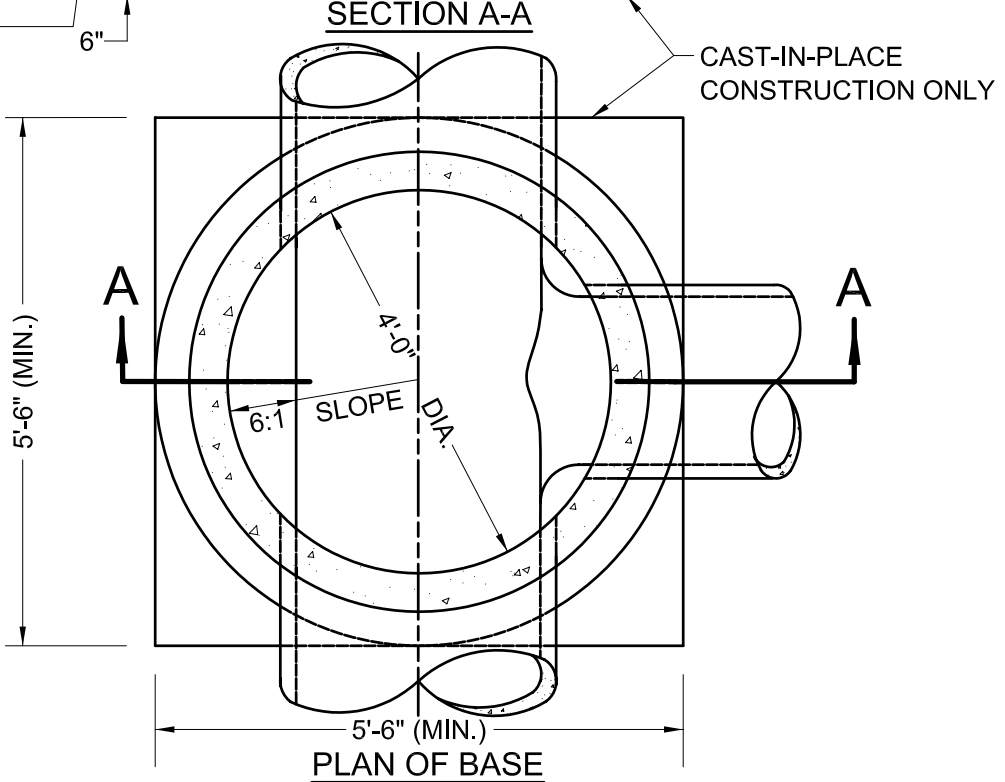


NOTES:

1. SANITARY SEWER MAINTENANCE HOLES SHALL BE CONSTRUCTED ACCORDING TO UNION SANITARY DISTRICT SPECIFICATIONS EXCEPT THE BASE SHALL BE CAST-IN-PLACE IN ACCORDANCE WITH THIS DETAIL
2. 3' INSIDE DIAMETER MAINTENANCE HOLES WITH 24" HIGH CONES MAY BE USED IN CASE OF SHALLOW COVER WITH APPROVAL BY THE CITY ENGINEER.
3. FOR RETROFITS REFER TO ALAMEDA COUNTY FLOOD CONTROL DISTRICT OR PUBLIC WORKS STANDARD DETAILS FOR APPROPRIATE COLLAR CONNECTIONS.

6" MIN., 12" MAX.
SEE NOTES 10 & 11,
SHEET 4, SD-22



CITY OF FREMONT
STANDARD DETAILS
STORM DRAIN AND SEWER
MAINTENANCE HOLE

DATE APPROVED BY CITY COUNCIL
04/11/06

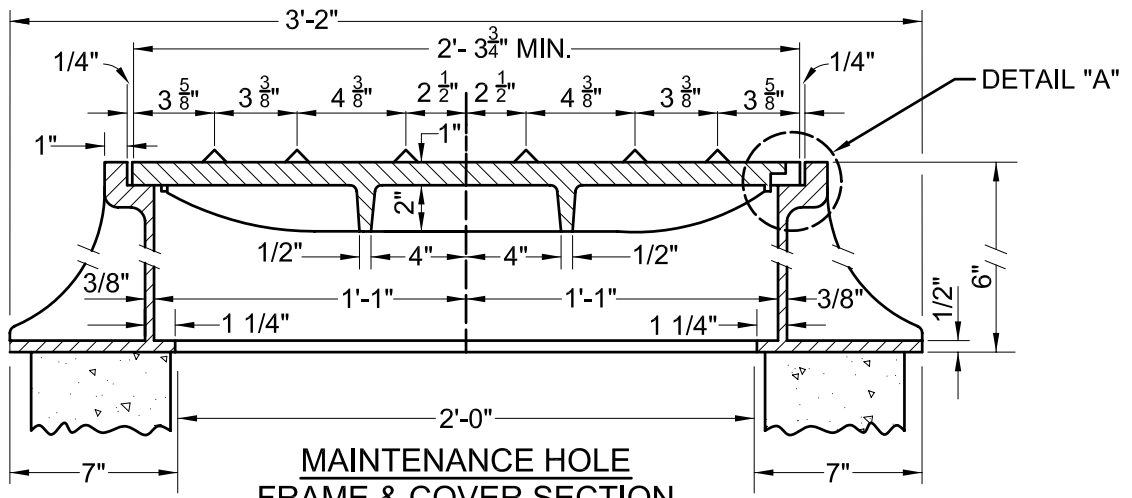
RESOLUTION NO. 2006-31

Ham Hughes

CITY ENGINEER

NO.	REVISED	DATE
REVISIONS		

FILE NO. SD-21-06.DWG	SCALE 1/2" = 1'-0"	DRAWN DC	CHECKED KC	DATE 03/14/06	DWG NO. SD-21	1 of 2
--------------------------	-----------------------	-------------	---------------	------------------	------------------	--------

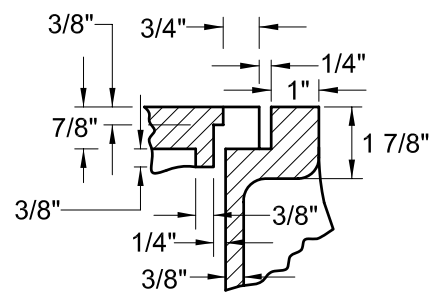


**MAINTENANCE HOLE
FRAME & COVER SECTION**

SCALE: 1 1/2" = 1'-0"

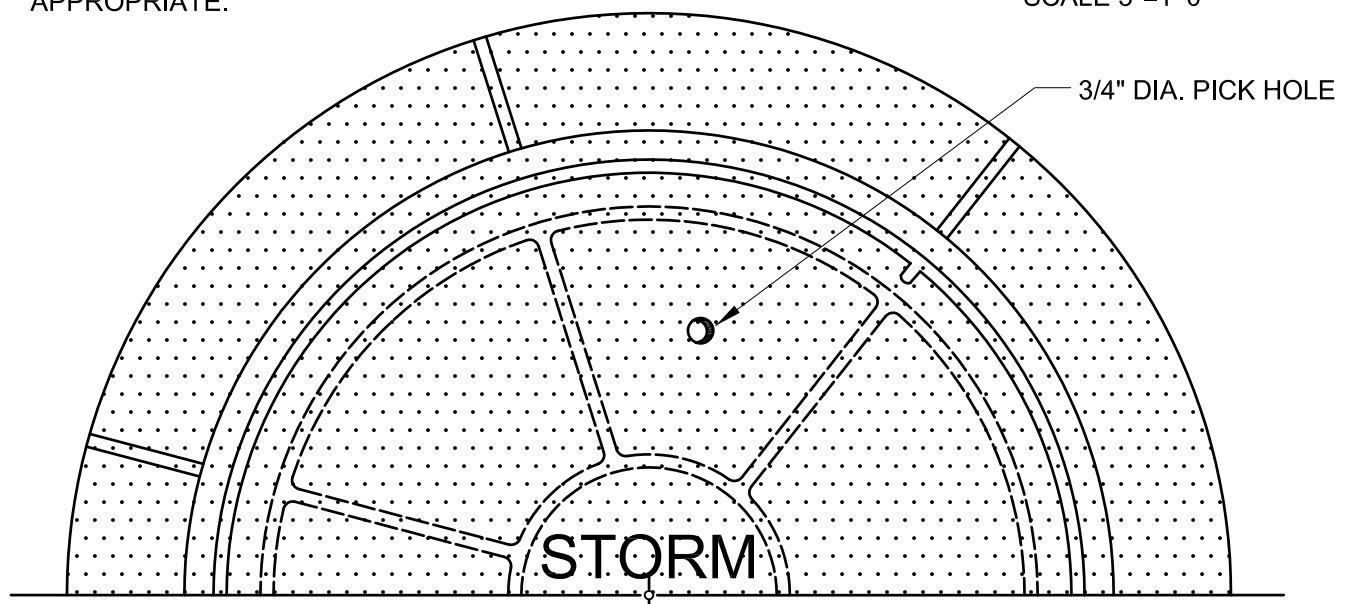
NOTES:

1. MAINTENANCE HOLE FRAMES AND COVERS SHALL BE MATCH-MARKED IN PAIRS. EACH COVER SHALL BE GROUND OR OTHERWISE FINISHED TO FIT IN ITS FRAME WITHOUT ROCKING.
2. AT THE OPTION OF THE CONTRACTOR, MAINTENANCE HOLE FRAMES AND COVERS MAY BE PHOENIX MODEL P-1090 (25-11/32" DIA.) OR MONROE CASTING (25-5/16" DIA.)
3. COVER SHALL BE LABELLED "STORM" OR "SEWER" AS APPROPRIATE.



**DETAIL "A"
LIFTING HOLE**

SCALE 3"=1'-0"



**HALF PLAN OF TOP
NOT TO SCALE**

			CITY OF FREMONT STANDARD DETAILS			DATE APPROVED BY CITY COUNCIL 04/11/06			
						RESOLUTION NO. 2006-31			
STORM DRAIN AND SEWER MAINTENANCE HOLE			<i>Ham Hughes</i>						
			CITY ENGINEER						
NO.	REVISED	DATE	FILE NO.	SCALE	DRAWN	CHECKED	DATE	DWG NO.	
REVISIONS			SD-21-06.DWG	AS SHOWN	DC	KC	03/14/06	SD-21	2 of 2