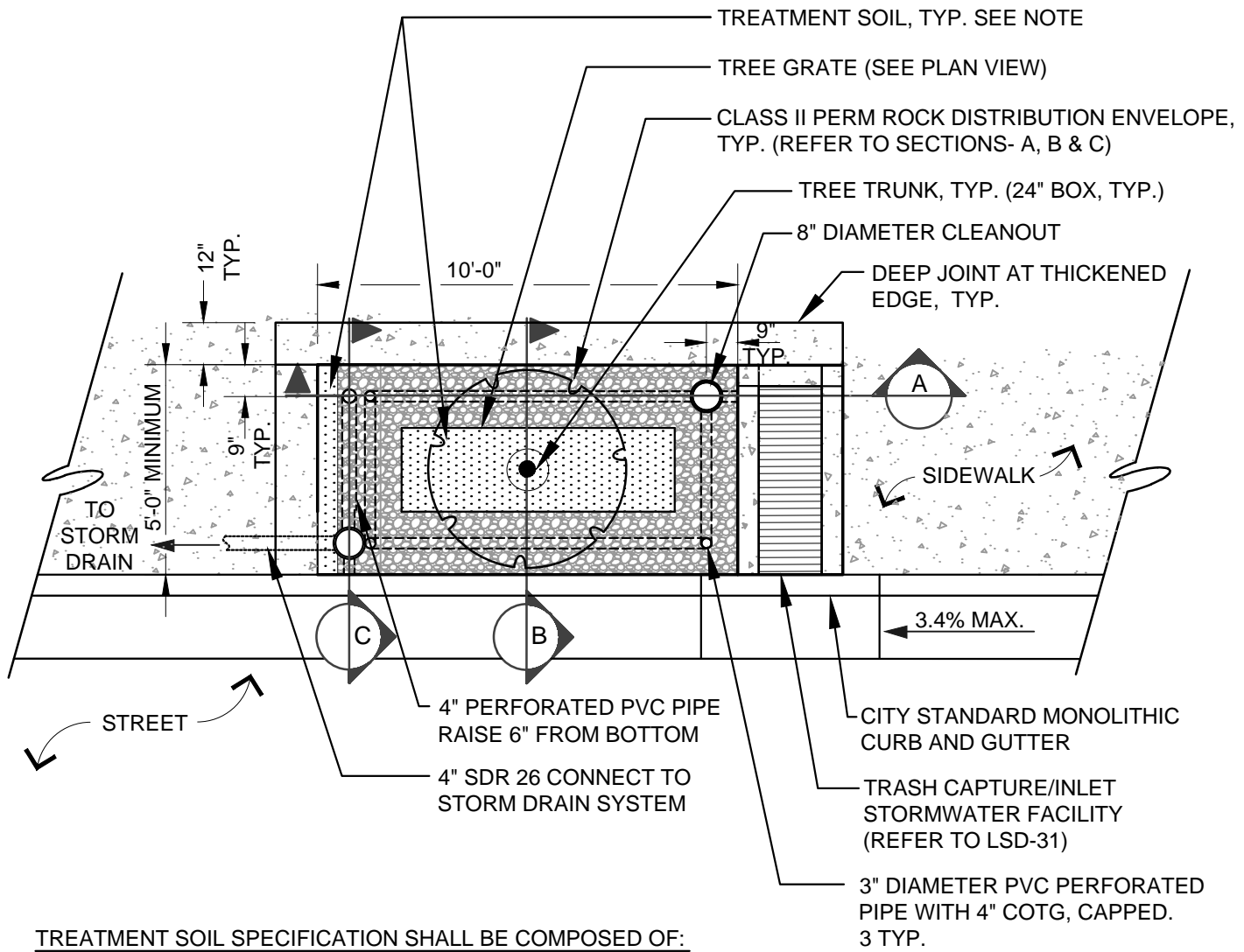


NOTE:
NEENAH TREE GRATE (WITH EXTENSIONS) PER LSD-2 OR APPROVED EQUAL

PLAN VIEW - TREE GRATE



TREATMENT SOIL SPECIFICATION SHALL BE COMPOSED OF:
60% ASTM C-33 SAND
30% USCC STA CERTIFIED COMPOST
10% SMALL WOOD CHIPS

	Council Revision	12/13/11
APPR	REVISED	DATE
REVISIONS		

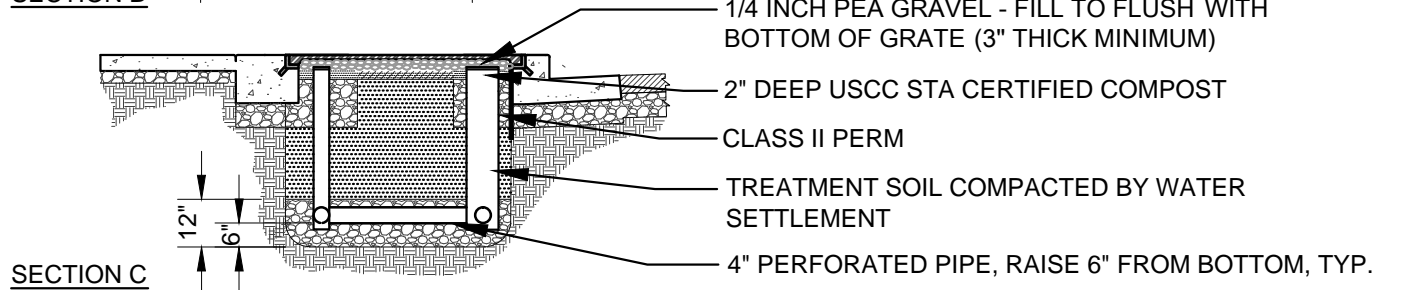
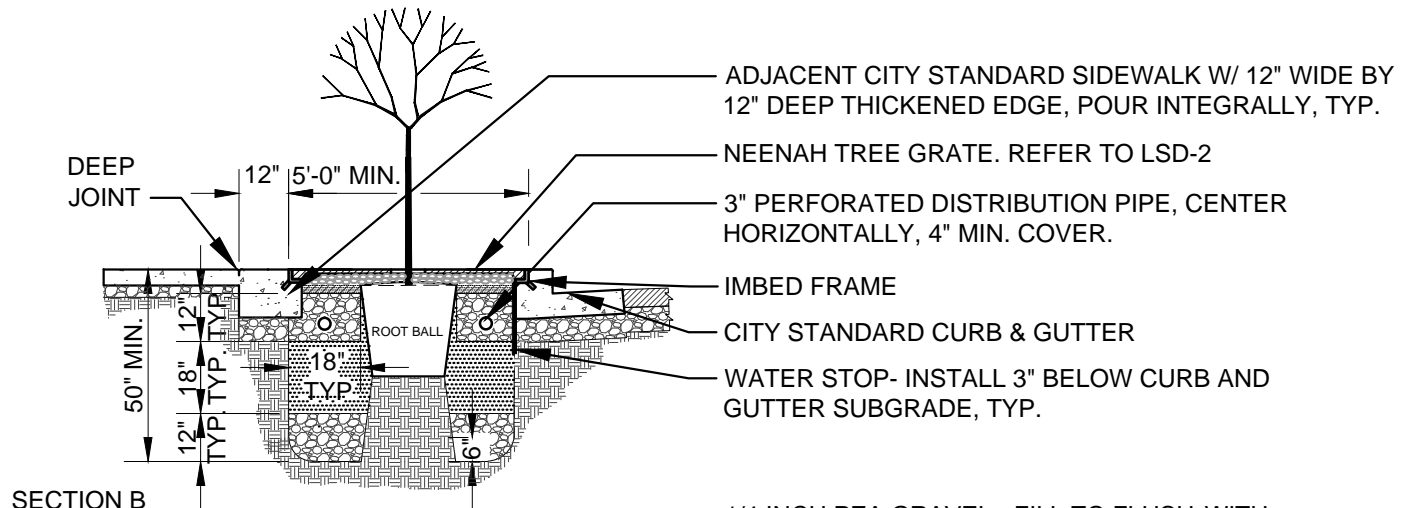
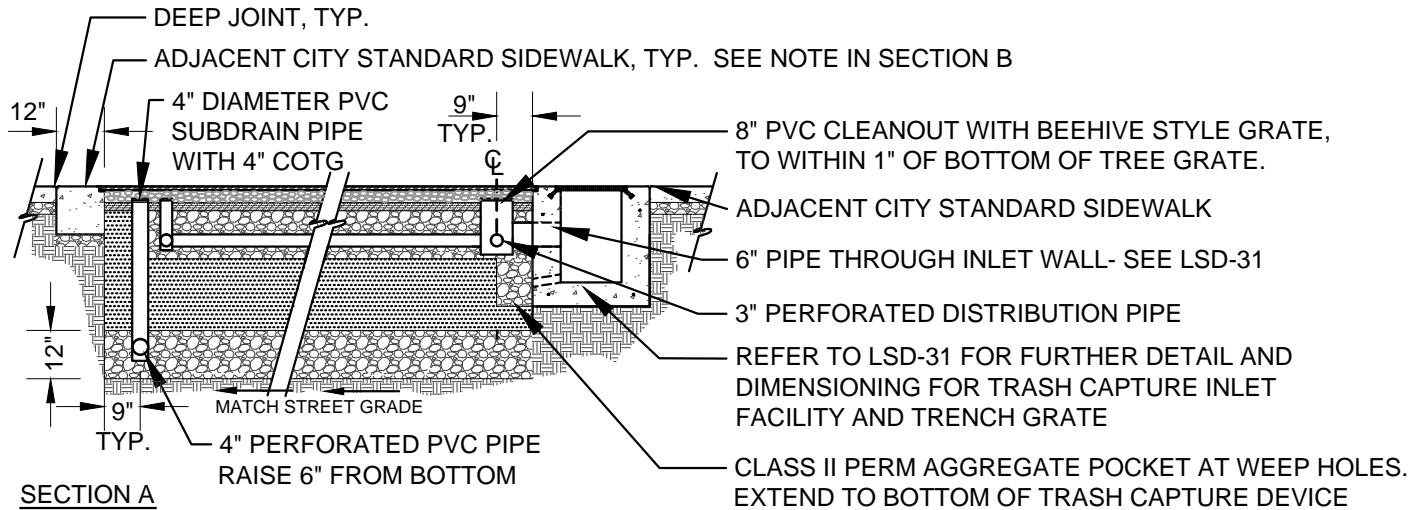
CITY OF FREMONT
STANDARD DETAILS
CITY STANDARD
STORMWATER TREETWELL
PLAN VIEW

DATE APPROVED BY CITY COUNCIL	12/13/11
RESOLUTION NO.	2006-31
<i>Ham Hughes</i>	
CITY ENGINEER	

FILE NO.	SCALE	DRAWN	CHECKED	DATE	DWG NO.	
LSD-29.DWG	1/4" = 1'-0"	EL/TB/CC	RER	DEC. 2011	LSD-29	1 OF 2

SIZING INFORMATION:

1. THE MAXIMUM ALLOWABLE DRAINAGE AREA FOR THIS TREETWELL AS SHOWN (10' x 5') SHALL BE 1,250 SQ. FT. TREETWELL HAS BEEN SIZED USING THE COMBINED FLOW AND VOLUME METHODOLOGY AS DETAILED IN THE ACCWP C.3 STORMWATER TECHNICAL MANUAL. ANY DEVIATION FROM THIS SIZE (10' x 5') WOULD REQUIRE FLOW-VOLUME CALCULATIONS. SUBSURFACE TREETWELL TREATMENT DEVICES WILL NOT BE ACCEPTED USING SIMPLIFIED SIZING CRITERIA OF 4%.
2. THE CURB INLET OPENING OF 15" AS SHOWN IS SUFFICIENT TO CAPTURE 100% OF THE TREATMENT RUNOFF FROM THE MAXIMUM DRAINAGE AREA (1,250 SQ.FT. OF IMPERVIOUS AREA) PERTINENT TO THIS TREETWELL SIZE. THE LENGTH OF CURB OPENING REQUIRED FOR 100% CAPTURE IS DEPENDENT ON THE GUTTER SLOPE (FOR TREETWELLS INSTALLED AT GRADE). STREETS GREATER THAN 3.4% SHALL REQUIRE LONGER OR MULTIPLE CURB OPENINGS BASED ON INLET CAPTURE CALCULATIONS.
3. FOR ADDITIONAL PLANTING AND IRRIGATION REFER TO LSD-2 REQUIREMENTS. TREES MUST BE IRRIGATED.



**CITY OF FREMONT
STANDARD DETAILS
CITY STANDARD
STORMWATER TREETWELL
SECTIONS**

DATE APPROVED BY CITY COUNCIL
12/13/11

RESOLUTION NO. 2006-31

Ham Hughes
CITY ENGINEER

APPR	REVISION	DATE
	Council Revision	12/13/11
REVISIONS		

FILE NO. LSD-29.DWG	SCALE 1/4=1'-0"	DRAWN MAM/TB/CC	CHECKED RER	DATE DEC. 2011	DWG NO. LSD-29	2 OF 2
------------------------	--------------------	--------------------	----------------	-------------------	-------------------	--------