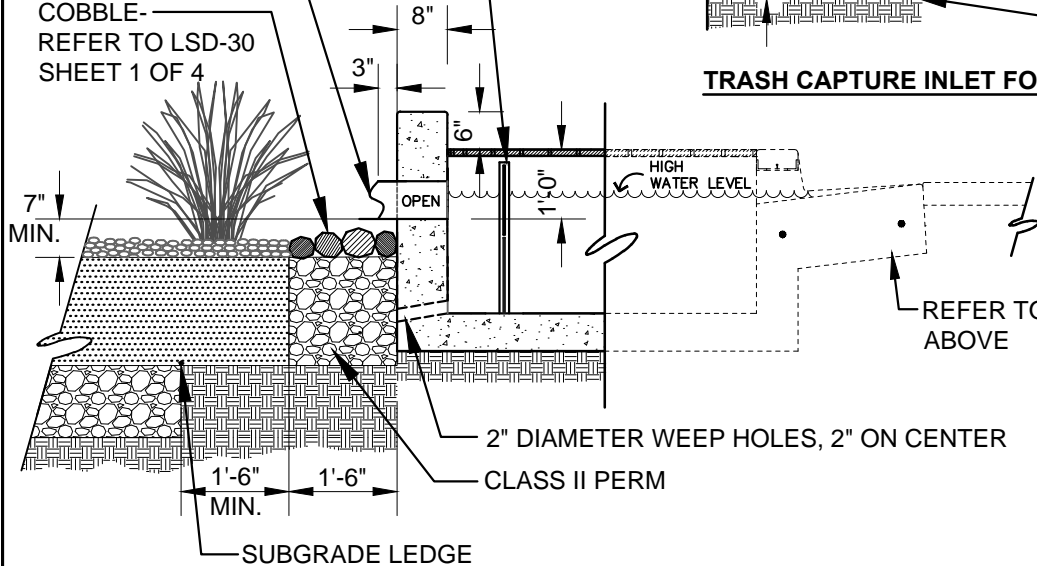


**SUBSURFACE STORMWATER FACILITY
OPTION #1**

LOUVERED PANEL-
REFER TO LSD 31, SHEET 3 OF 3

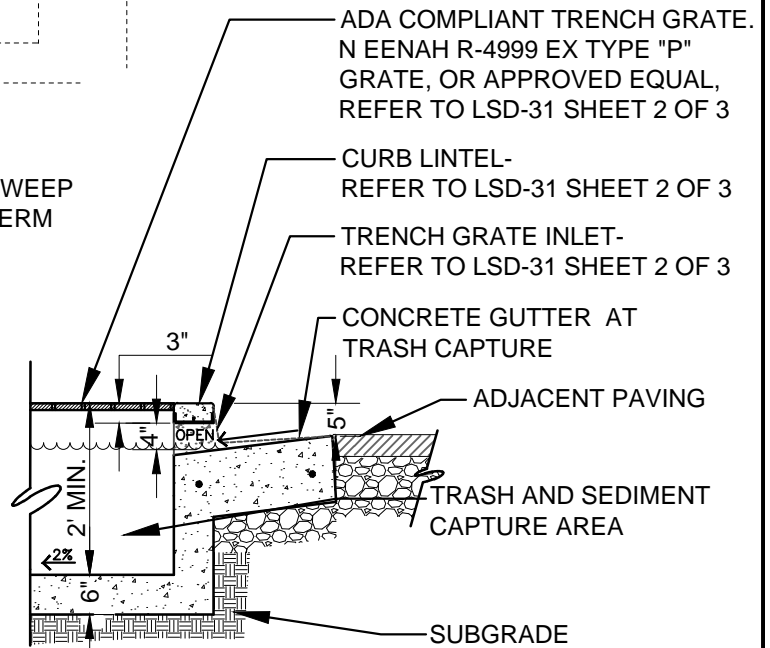
6" DIAMETER
SCH. 40 PVC.

COBBLE-
REFER TO LSD-30
SHEET 1 OF 4



**SURFACE STORMWATER FACILITY
OPTION #2**

TREATMENT SOIL SPECIFICATION SHALL BE COMPOSED OF :
60% ASTM C-33 SAND
30% USCC STA CERTIFIED COMPOST
10% SMALL WOOD CHIPS



TRASH CAPTURE INLET FOR OPTION #1 AND #2

**CITY OF FREMONT
STANDARD DETAILS
CITY STANDARD
STORMWATER TRASH
CAPTURE INLET**

DATE APPROVED BY CITY COUNCIL
12/13/11

RESOLUTION NO. 2006-31

Norm Hughes

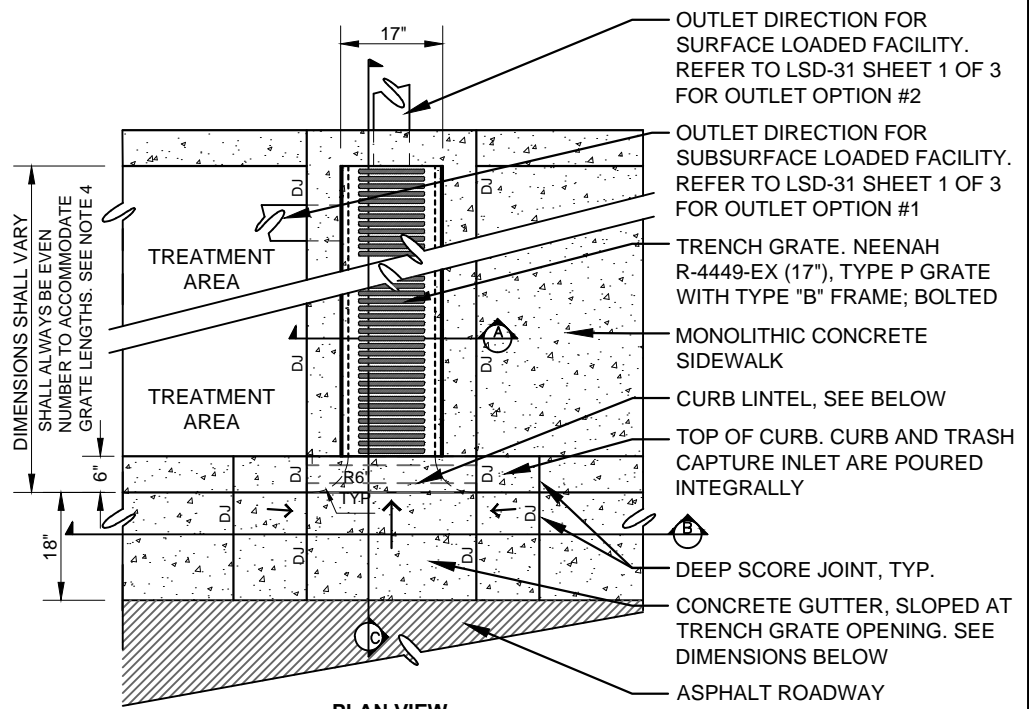
CITY ENGINEER

JK	General Revision	07/31/22
JK	General Revision	08/2019
	Council Revision	12/13/11
APPR	REVISED	DATE
REVISIONS		

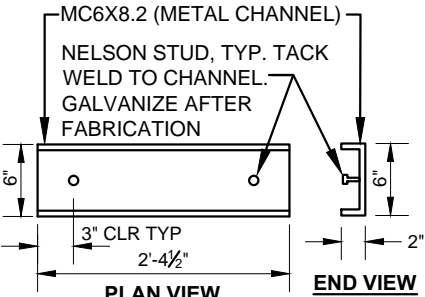
FILE NO. LSD-31.DWG	SCALE 1/2" = 1'-0"	DRAWN TB/CC	CHECKED RER	DATE NOV. 2011	DWG NO. LSD-31	1 OF 3
------------------------	-----------------------	----------------	----------------	-------------------	-------------------	--------

NOTES:

- * REFER TO PLANS FOR MINIMUM OPENING WIDTH. VARIABILITY OF MINIMUM OPENING WIDTH IS SUBJECT TO REQUIREMENTS OF DRAINAGE AREA. REFER TO NOTES 1 AND 2 ON LSD-29, SHEET 2 OF 2.
- DURING CONSTRUCTION RAIN EVENTS, TRASH CAPTURE DEVICE OPENING SHALL BE PROTECTED TO PREVENT WATER ENTRY UNTIL DEVICE IS APPROVED FOR USE BY PROJECT LANDSCAPE ARCHITECT.
- REFER TO LSD 31, SHEET 1 OF 3 FOR WEEP HOLES QUANTITY AND DETAIL.
- GRATE COME IN STANDARD 2 FT INCREMENTS AND SHALL NOT BE CUT. ADJUST TRENCH LENGTH TO ENSURE IT IS CONSTRUCTED TO EVEN GRATE LENGTHS.
- GRATES ARE 17" (W) X 24" (L) X 1-1/2" (D), TYP. MAINTAIN 3/16" GAP BETWEEN GRATE AND FRAME ALONG INSTALLATION. GRATE IS BOLTED.
- END PC FRAMES ARE REQUIRED.

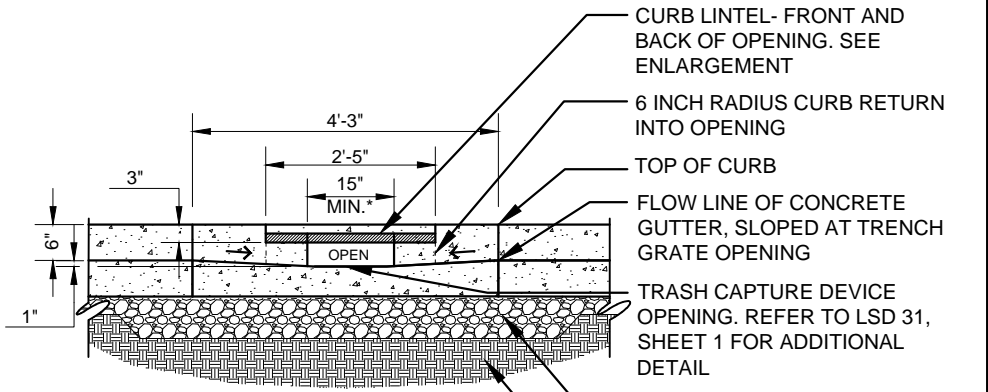


**PLAN VIEW
TRASH CAPTURE INLET AND GRATE**

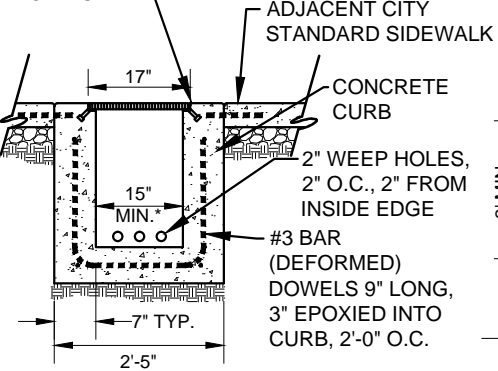


**CURB LINTEL ENLARGEMENT
SCALE: 3/4" = 1'-0"**

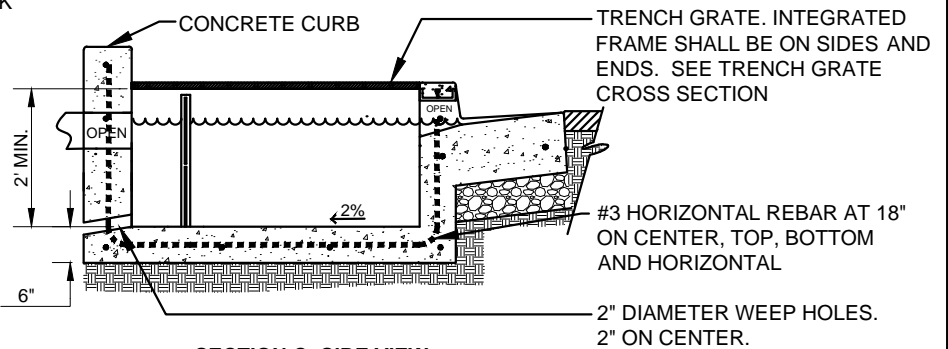
TRENCH GRATE AND INTEGRATED FRAME. FRAME SHALL BE 1/2" TO 1 3/4" ANGLE IRON EMBEDDED INTO TRASH CAPTURE CURB, AND DIMENSIONED FROM OUTSIDE EDGE TO EDGE



**SECTION B
TRENCH GRATE INLET ENLARGEMENT**



**SECTION A
TRENCH GRATE AND CURB CONNECTION**



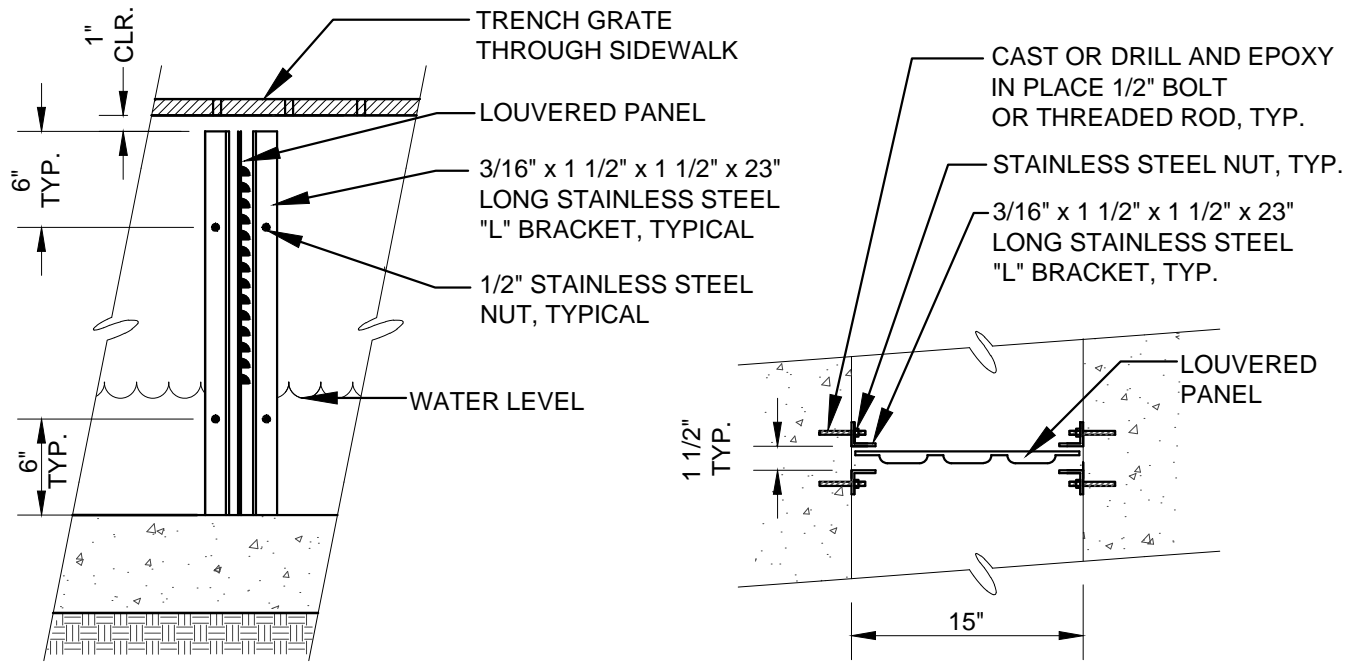
**SECTION C- SIDE VIEW
SURFACE LOADED TRASH CAPTURE INLET**

**CITY OF FREMONT
STANDARD DETAILS
CITY STANDARD
STORMWATER TRASH
CAPTURE INLET**

DATE APPROVED BY CITY COUNCIL
12/13/11
RESOLUTION NO. 2006-31
Norm Hughes
CITY ENGINEER

APPR	REVISION	DATE
	General Revision	07/31/22
	General Revision	08/2019
	Council Revision	12/13/11
REVISIONS		

FILE NO.	SCALE	DRAWN	CHECKED	DATE	DWG NO.
LSD-31.DWG	3/8" = 1'-0"	PN/TB/CC	RER	DEC. 2011	LSD-31 2 OF 3

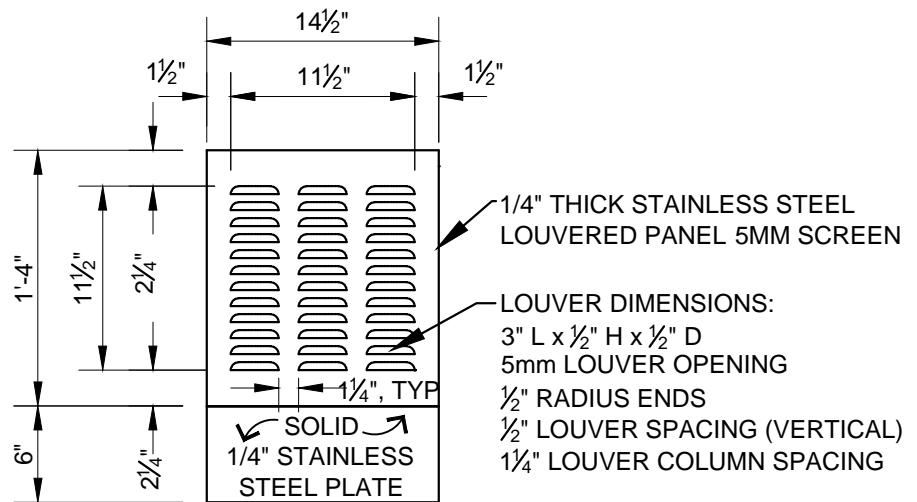


SIDE VIEW
N.T.S.

PLAN VIEW OF INLET CHANNEL

ACCEPTABLE LOUVERED PLATE AND BRACKET SUPPLIER, OR APPROVED EQUAL:

ROSCOE MOSS COMPANY
TYPE 304 STAINLESS STEEL
4360 WORTH STREET
LOS ANGELES, CA 90063
WWW.ROSCOEMOSS.COM



FRONT VIEW

NOTE:

1. LOUVERED PANEL MINIMUM DIMENSION: 22"H x 14 1/2"W x 1/4"T. PANEL SIZES SHALL VARY DEPENDING UPON FACILITY REQUIREMENTS.
2. FIELD VERIFY AND MAINTAIN 1" CLEAR FROM BOTTOM OF TRENCH GRATE.

			CITY OF FREMONT STANDARD DETAILS CITY STANDARD STORMWATER TRASH CAPTURE INLET			DATE APPROVED BY CITY COUNCIL 12/13/11							
						RESOLUTION NO. 2006-31							
<table border="1"> <tr> <td>APPR</td> <td>REVISED</td> <td>DATE</td> </tr> <tr> <td></td> <td></td> <td></td> </tr> </table>			APPR	REVISED	DATE							<i>Norm Hughes</i> CITY ENGINEER	
APPR	REVISED	DATE											
FILE NO.	SCALE	DRAWN	CHECKED	DATE	DWG NO.								
LSD-31.DWG	1" = 1'-0"	MAM/CC	RER/MM	NOV. 2011	LSD-31	3 OF 3							