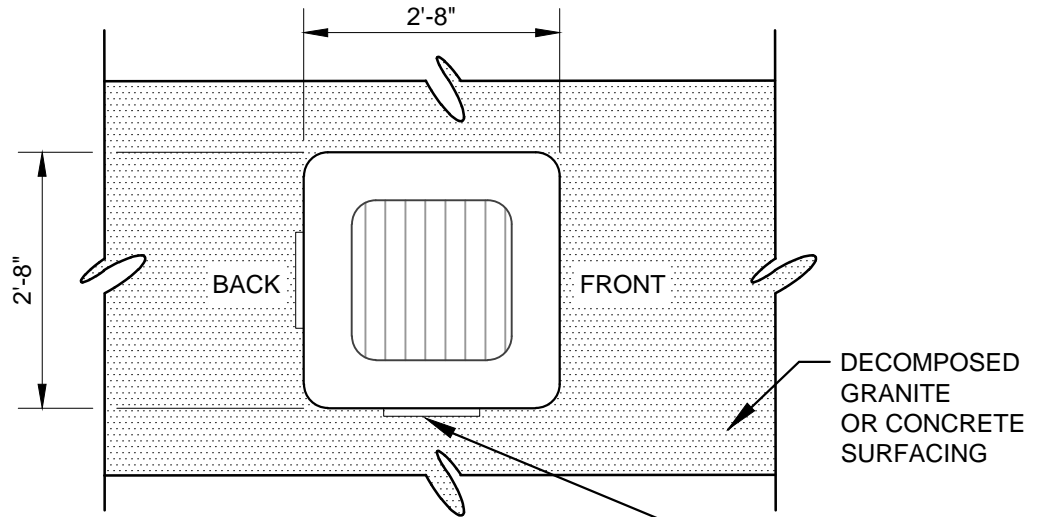
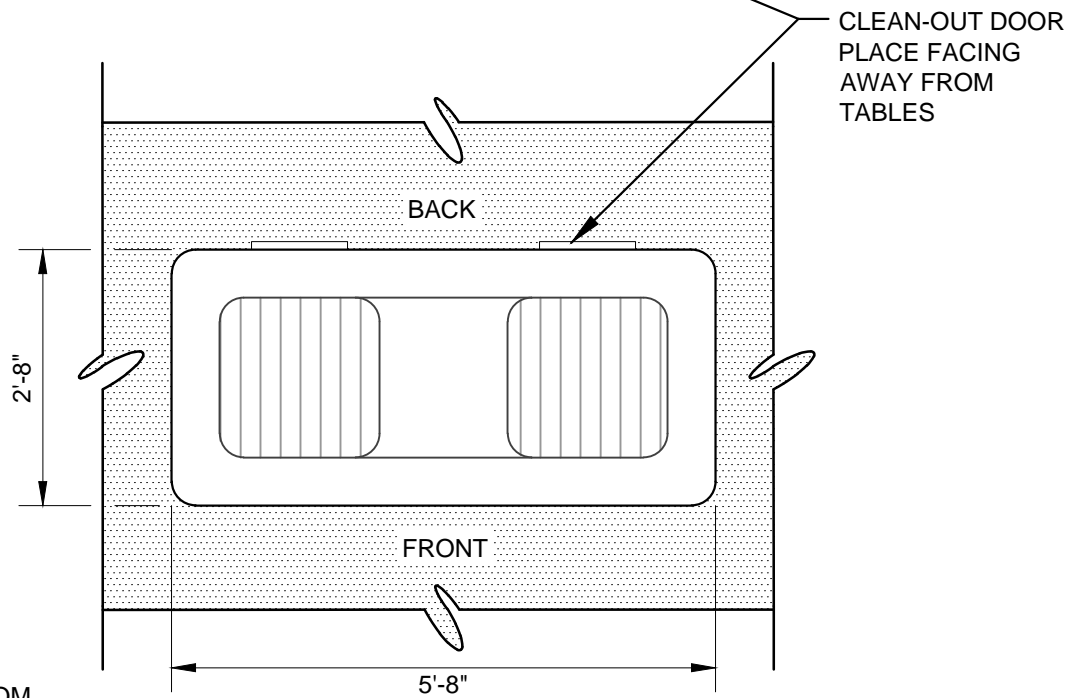


FAMILY BARBEQUE
MODEL #300A
BY OUTDOOR CREATIONS



GROUP BARBEQUE
MODEL #3001A
BY OUTDOOR CREATIONS



ACCEPTABLE SUPPLIERS,
 OR APPROVED EQUAL:

OUTDOOR CREATIONS, INC.
 2270 BARNEY ROAD
 ANDERSON, CA 96077
 WWW.OUTDOORCREATIONS.COM

QUICKCRETE PRODUCTS CORP
 P.O. BOX 639,
 NORCO, CA 92860
 WWW.QUICKCRETE.COM

UNIVERSAL PRECAST
CONCRETE, INC.
 P.O. BOX 641296
 SAN JOSE, CA 95164-1296
 WWW.UNIVERSALPRECAST.COM



SCALE: 1/2" = 1'-0"

CITY OF FREMONT

PARK STANDARD DETAILS

BARBEQUE

DATE APPROVED BY CITY COUNCIL
 December 13, 2011

RESOLUTION NO. 2011-65

SENIOR LANDSCAPE ARCHITECT

COMMUNITY SERVICES DIRECTOR

APR.	REVISED	DATE
REVISIONS		

FILE NO. PSD SF-12.DWG	SCALE 1/2" = 1'-0"	DRAWN EL/CC	CHECKED RER	DATE 03/03/2011	DWG NO. PSD SF-12	1 OF 1
---------------------------	-----------------------	----------------	----------------	--------------------	----------------------	--------